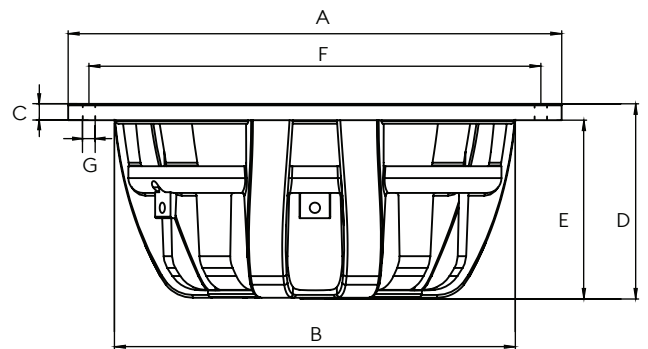
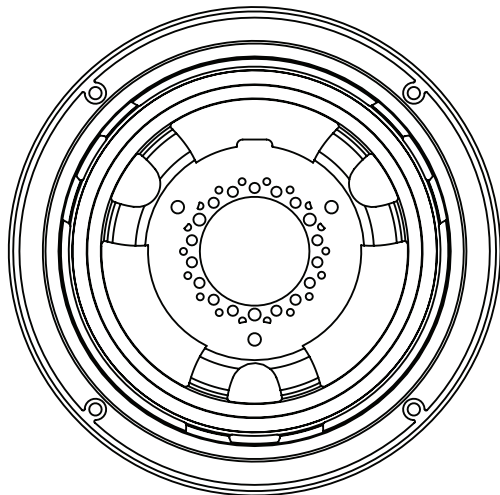


Elate Carbon MW6

6.5" Midbass Woofer

Specifications

Nominal Impedance (Ohm)	4
Power Handling (WRms)	180
Max Transient Power Handling W (10ms)	1000
Sensitivity (2.83V/1M) dB	87dB
Frequency Response Hz	30-4000
FS Hz	45
Voice Coil Diameter mm (inch)	75 (3)
Voice Coil Height mm (inch)	14.50 (0.57)
Voice Coil Type/ Former	Titanium
Voice Coil Wire	Hexatech™ aluminum
DC Resistance (Ohms)	3.6
Voice Coil Induct. @1 kHz (MH)	0.615
Magnet System	Neodymium
HE-Magnetic Gap Height mm (inch)	5 (0.20)
B-Flux Density (T.M.)	0.75
BL Product/BXL	6.51
Max. Linear Ex./Xmax mm (inch)	+/-4.75 (+/- 0.18)
Suspension Compliance CMS - mm/N	0.67
Electrical Q Factor QES	0.47
QTS	0.43
QMS	7.19
Mech.Resistance RMS - Ohm/meter	1
Moving Mass MMS - gr/ ounce	18 (0.63)
Equiv. Can Air Load VAS - L (cu.ft)	13.3 (0.47)
Effective Piston Area SD sq.cm (sq. inch)/mm (inch)	120 (18.6)
Cone Type	One-piece formed
Cone Material	3 layer sandwich Carbon +Rohacell
Unit Diameter mm (inch)/Ohms	165 (6.50)
Mounting Depth mm (inch)kHz (MH)	61 (2.40)
Mounting Cutout mm (inch)	141 (5.55)
Net Weight Kg (lb)Height mm (inch)	1.18 (2.60)



A	Ø 165mm (6.5 inch)
B	Ø 192mm (7.55 inch)
C	5.5mm (0.22 inch)
D	65.7mm (2.59 inch)
E	60.2mm (2.37 inch)
F	Ø 152mm (5.98 inch)
G	Ø 4.2mm (0.17inch)