

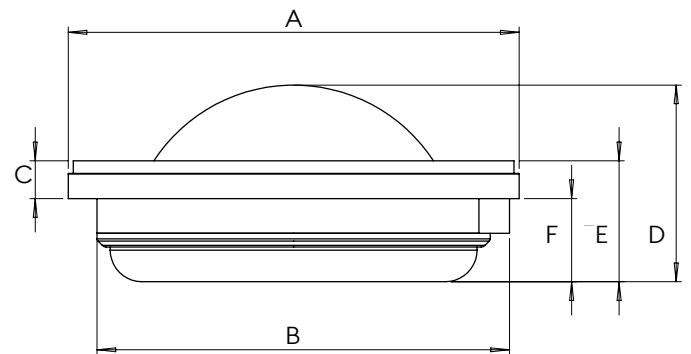
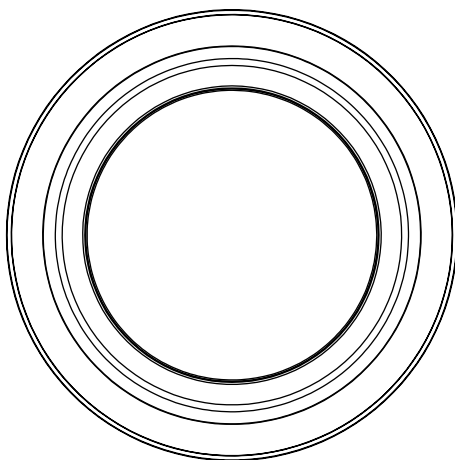
MT300

1.1" Soft Dome Tweeter



Specifications

Nominal Impedance (Ohm)	6
Power Handling (WRms)	130
Max Transient Power Handling W (10ms)	350
Sensitivity (2.83V/1M) dB	93
Frequency Response Hz	1600-25000
FS Hz	1200
Voice Coil Diameter mm (inch)	28 (1.125)
Voice Coil Former	Aluminum
Voice Coil Wire	Hexatech™ aluminum
DC Resistance Ohm	5.2
Magnet System	Double magnet neodymium
Dome Type	Acuflex™ hand coated soft dome
Dome Material	Silk
Unit Diameter mm (inch)	43.00 (1.69)
Mounting Depth mm (inch)	13.20 (0.52)
Mounting Cutout mm (inch)	47.00 (2.00)
Net Weight Kg(lb)	0.07 (0.15)



A	Ø 43mm (1.64 inch)
B	Ø 39.23 (1.54 inch)
C	3.6mm (0.14 inch)
D	18.7mm (0.73 inch)
E	11.5mm (0.45 inch)
F	7.9mm (0.31 inch)