

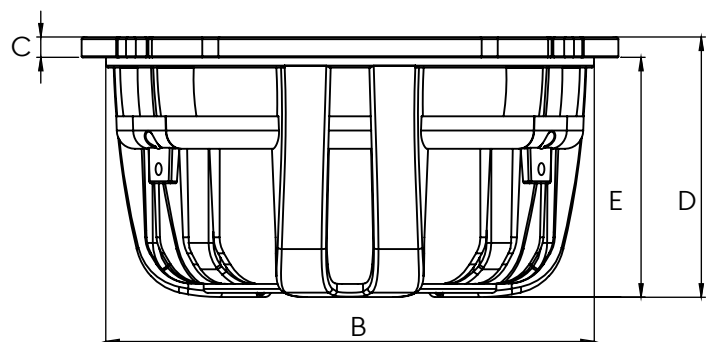
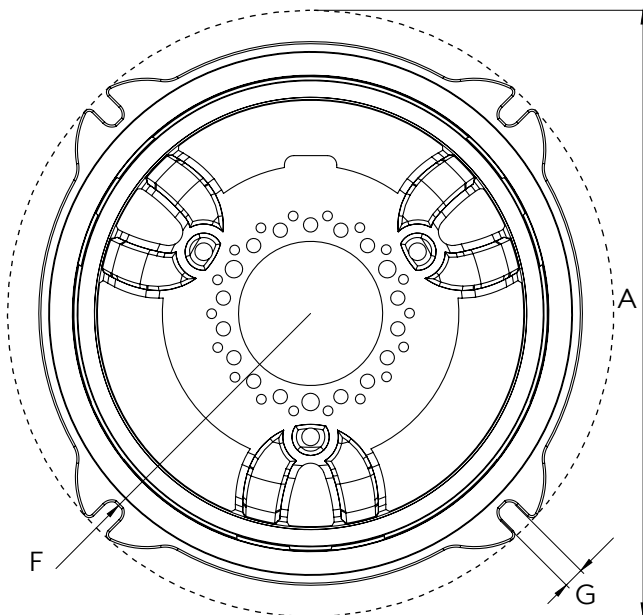
Elate Carbon MW5

5.25" Midbass Woofer



Specifications

Nominal Impedance (Ohm)	4
Power Handling (WRms)	160
Max Transient Power Handling W (10ms)	1000
Sensitivity (2.83V/1M) dB	85dB
Frequency Response Hz	40-5000
FS Hz	64
Voice Coil Diameter mm (inch)	75 (3)
Voice Coil Height mm (inch)	14.50 (0.57)
Voice Coil Type/ Former	Titanium
Voice Coil Wire	Hexatech™ aluminum
DC Resistance (Ohms)	3.6
Voice Coil Induct. @1 kHz (MH)	0.615
Magnet System	Neodymium
HE-Magnetic Gap Height mm (inch)	5 (0.20)
B-Flux Density (T.M.)	0.66
BL Product/BXL	5.15
Max. Linear Ex./Xmax mm (inch)	+/-4.75 (+/- 0.18)
Suspension Compliance CMS - mm/N	0.35
Electrical Q Factor QES	0.63
QTS	0.56
QMS	4.15
Mech.Resistance RMS - Ohm/meter	1.32
Moving Mass MMS - gr/ ounce	18 (0.63)
Equiv. Can Air Load VAS - L (cu.ft)	4.5 (0.6)
Effective Piston Area SD sq.cm (sq. inch)/mm (inch)	90 (13.95)
Cone Type	One-piece formed
Cone Material	3 layer sandwich Carbon +Rohacell
Unit Diameter mm (inch)/Ohms	135 (5.25)
Mounting Depth mm (inch)kHz (MH)	60 (2.36)
Mounting Cutout mm (inch)	120 (4.72)
Net Weight Kg (lb)Height mm (inch)	1.05 (2.31)



A	Ø 147.21mm (5.79 inch)
B	Ø 120mm (4.75 inch)
C	5mm (0.2 inch)
D	64.02mm (2.52 inch)
E	59.02mm (2.32 inch)
F	Ø 66mm (2.6 inch)
G	Ø 5mm (0.20inch)