

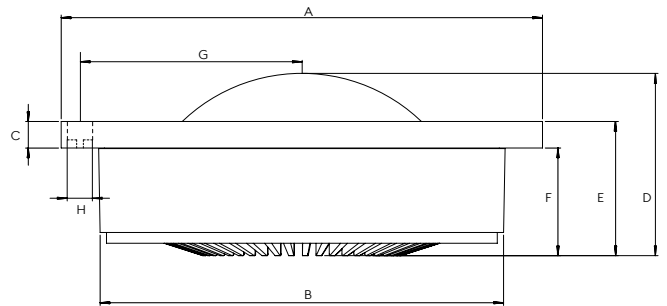
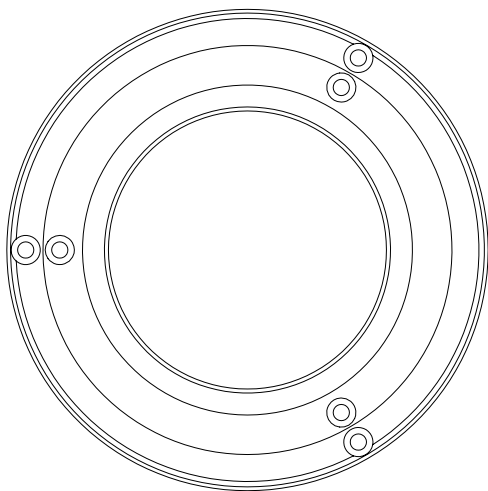
CDM700

3.5" Soft Dome Midrange



Specifications

Nominal Impedance (Ohm)	6
Power Handling (WRms)	100
Max Transient Power Handling W (10ms)	300
Sensitivity (2.83V/1M) dB	90
Frequency Response Hz	600-6000
FS Hz	480
Voice Coil Diameter mm (inch)	54 (2.125)
Voice Coil Former	Aluminum
Voice Coil Wire	Hexatech™ aluminum
DC Resistance Ohm	3.5
Magnet System	Neodymium Rear Vented
Dome Type	Coated soft dome
Dome Material	Silk
Unit Diameter mm (inch)	88.00 (3.50)
Mounting Depth mm (inch)	21.00 (0.83)
Mounting Cutout mm (inch)	75.50 (2.97)
Net Weight Kg(lb)	0.25 (0.55)



A	Ø 88mm (3.46 inch)
B	Ø 74.6mm (2.93 inch)
C	4.9mm (0.19 inch)
D	33.59mm (1.32 inch)
E	24.79mm (0.97 inch)
F	19.89mm (0.78 inch)
G	41mm (1.61inch)
H	Ø 5mm (0.20inch)