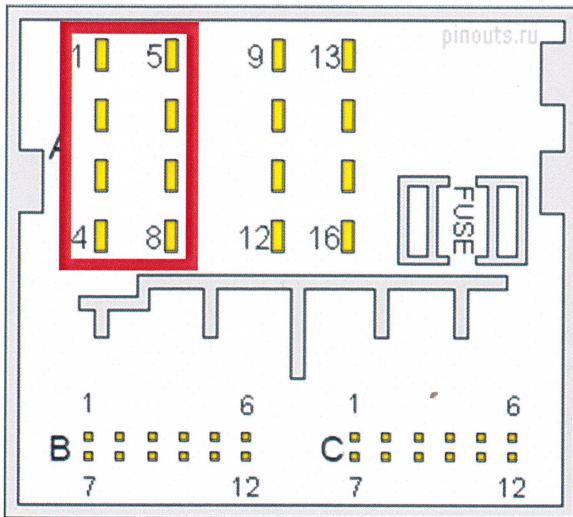


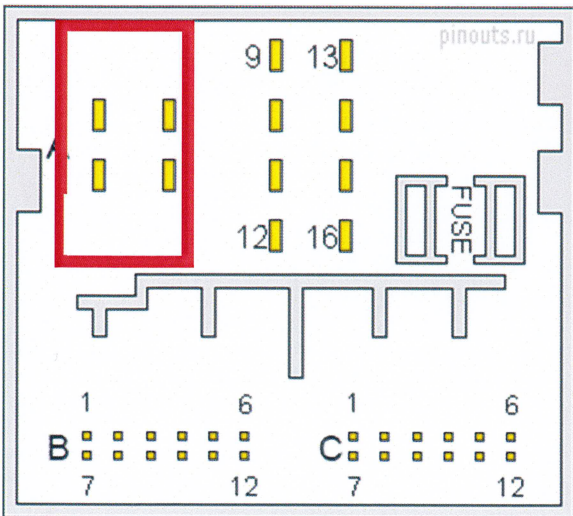
**To identify the correct fitment please check  
the speaker section of the OE quadlock**



None amplified

All of the terminals in the plug are populated

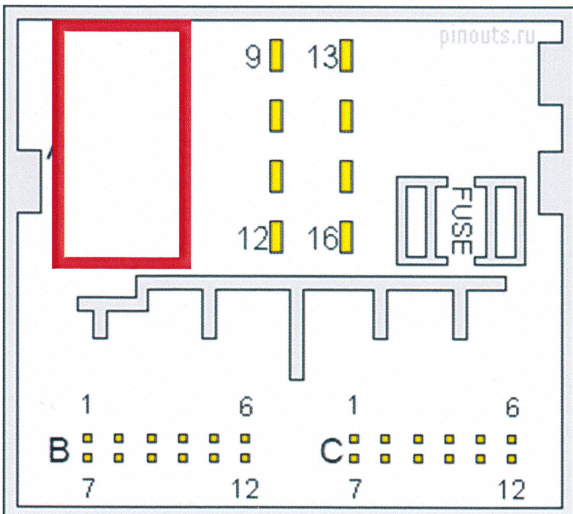
**AIS2156**



Half amplified

The two outer pairs are not populated

**AIS2255**

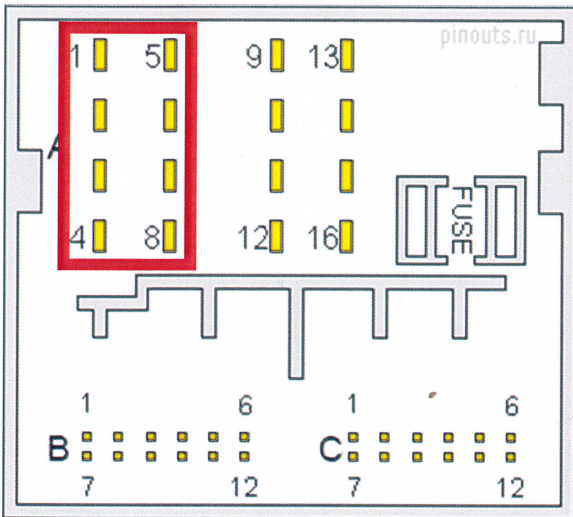


Fully amplified

None the speakers are populated

**AIS2265**

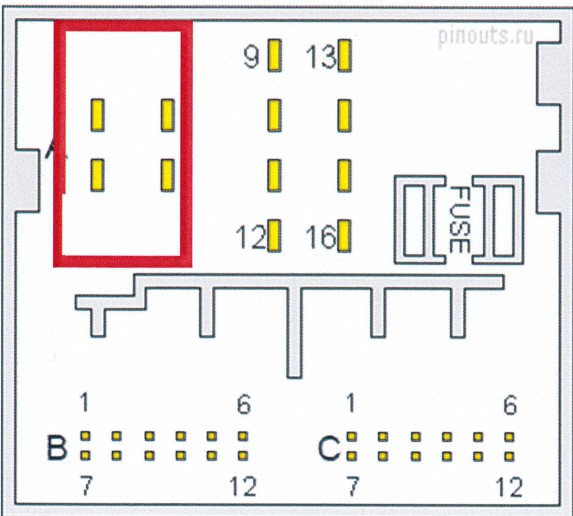
**To identify the correct fitment please check  
the speaker section of the OE quadlock**



None amplified

All of the terminals in the plug are populated

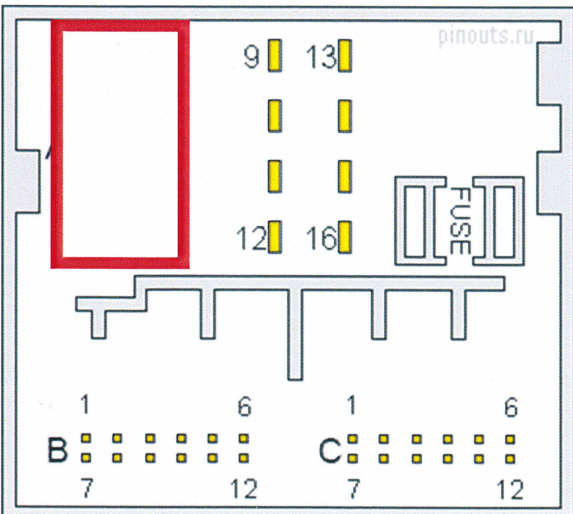
**AIS2156**



Half amplified

The two outer pairs are not populated

**AIS2255**



Fully amplified

None the speakers are populated

**AIS2265**